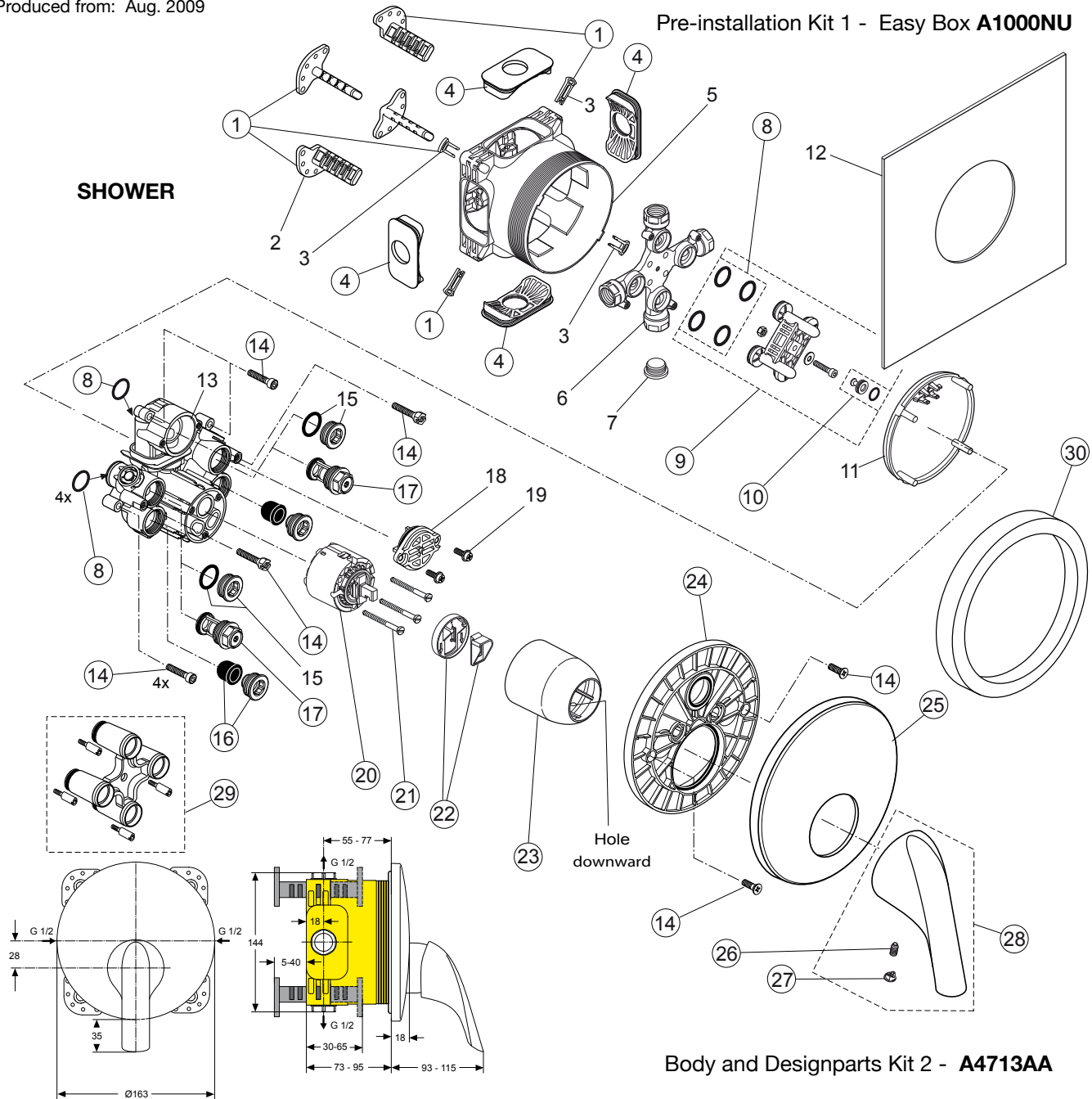


Produced from: Aug. 2009



Replace XX with the appropriate finish code
chrome = AA,

Example spare part order:
A 960 893 AA in chrome

Pos.	Description	Part-Number	Qty.	Pos.	Description	Part-Number	Qty.
1	Installation depth adjustment with clips	A 963 131 NU	1 Set	16	Low noise insert	A 960 891 NU	1 pcs
2	Depth adjustment device			17	Stop valve	A 960 706 NU	2 pcs
3	Adjustment lock (contained in pos. 1)			18	Front cover with o-ring		
4	Side sealing	A 963 132 NU	1 Set	19	Screw M4x12		
5	Built-in box			20	Cartridge with pos.22	A 960 500 NU	1 pcs
6	Multi-way body			21	Cylindrical screw M4x41,7	A 963 335 NU	3 pcs
7	Plug G1/2			22	ECO-kit	A 860 700 NU	1 Set
8	O-ring $\varnothing 17 \times 2,5$	A 963 143 NU	1 Set	23	Cover / Cap for cartridge	A 960 893 XX	1 pcs
9	Flushing device with Screw, washer + sealing set	A 963 146 NU	1 Set	24	Escutcheon holder compl.	A 960 895 NU	1 Set
10	Plug with o-ring $\varnothing 12 \times 1,5$	A 963 147 NU	1 pcs	25	Escutcheon / Shr curved	A 962 390 XX	1 pcs
11	Cover for built-in box			26	Thread pin M5x10 DIN915	A 963 309 NU	1 pcs
12	Sealing fleece			27	Cap red/blue for handle	A 963 054 NU	1 pcs
13	Body Single lever			28	Lever compl. with Logo ISI	B 960 656 XX	1 pcs
14	Screw set complete	A 960 890 NU	1 Set	29	Extension kit 20mm	A 960 704 NU	1 Set
15	Plug with o-ring				Extension kit 40mm	A 962 476 NU	1 Set
				30	Distance frame 20mm	A 960 705 XX	1 pcs